

FLAT PANEL MOUNTS

Tilting Wall Mounts

P4263T

Tilting Low-Profile Mount for Flat-Panels up to 63"



42" - 63"



175 lbs. (79 kg)



1.97" (50mm)

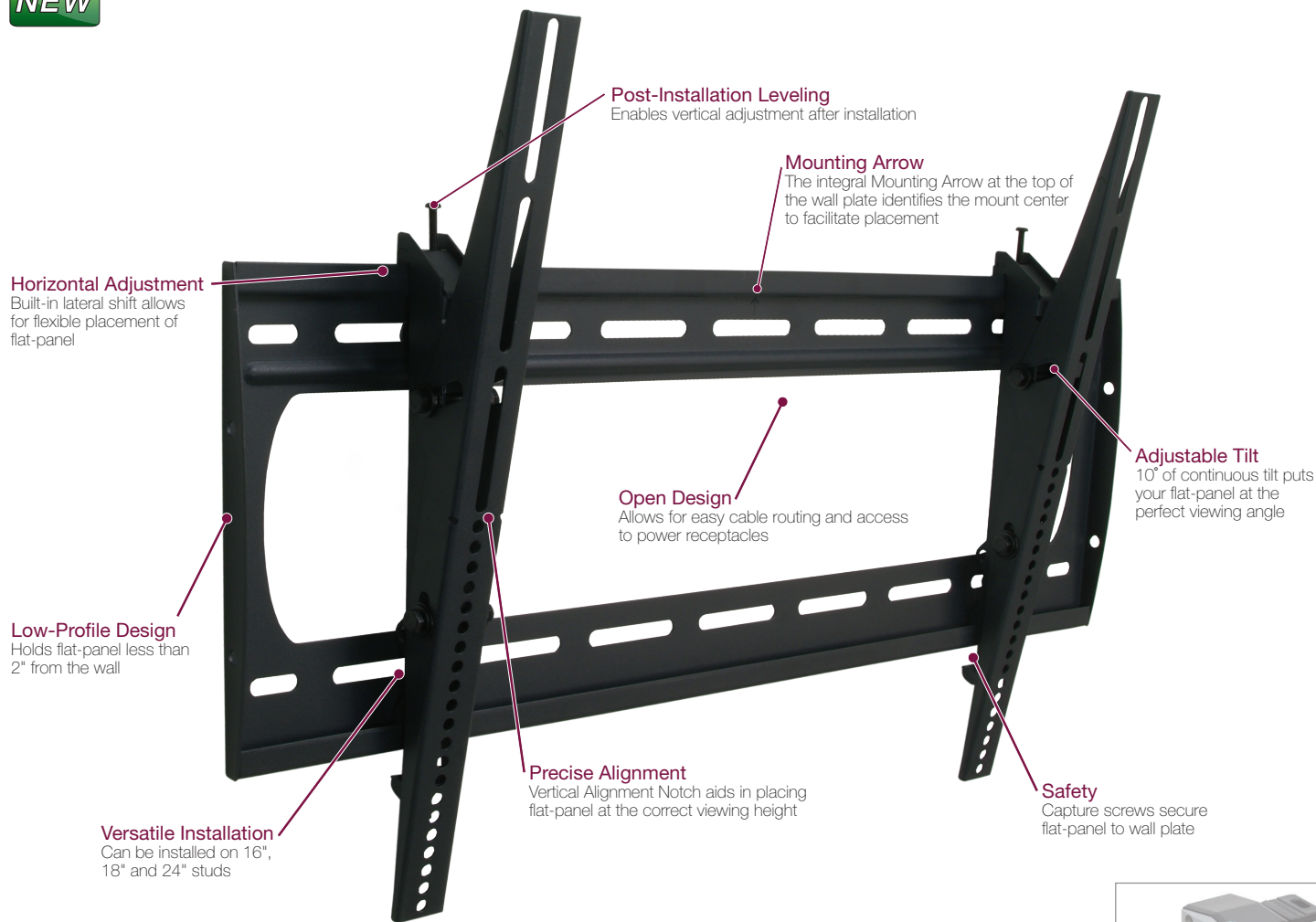


10°



800 x 525mm

NEW



FEATURES

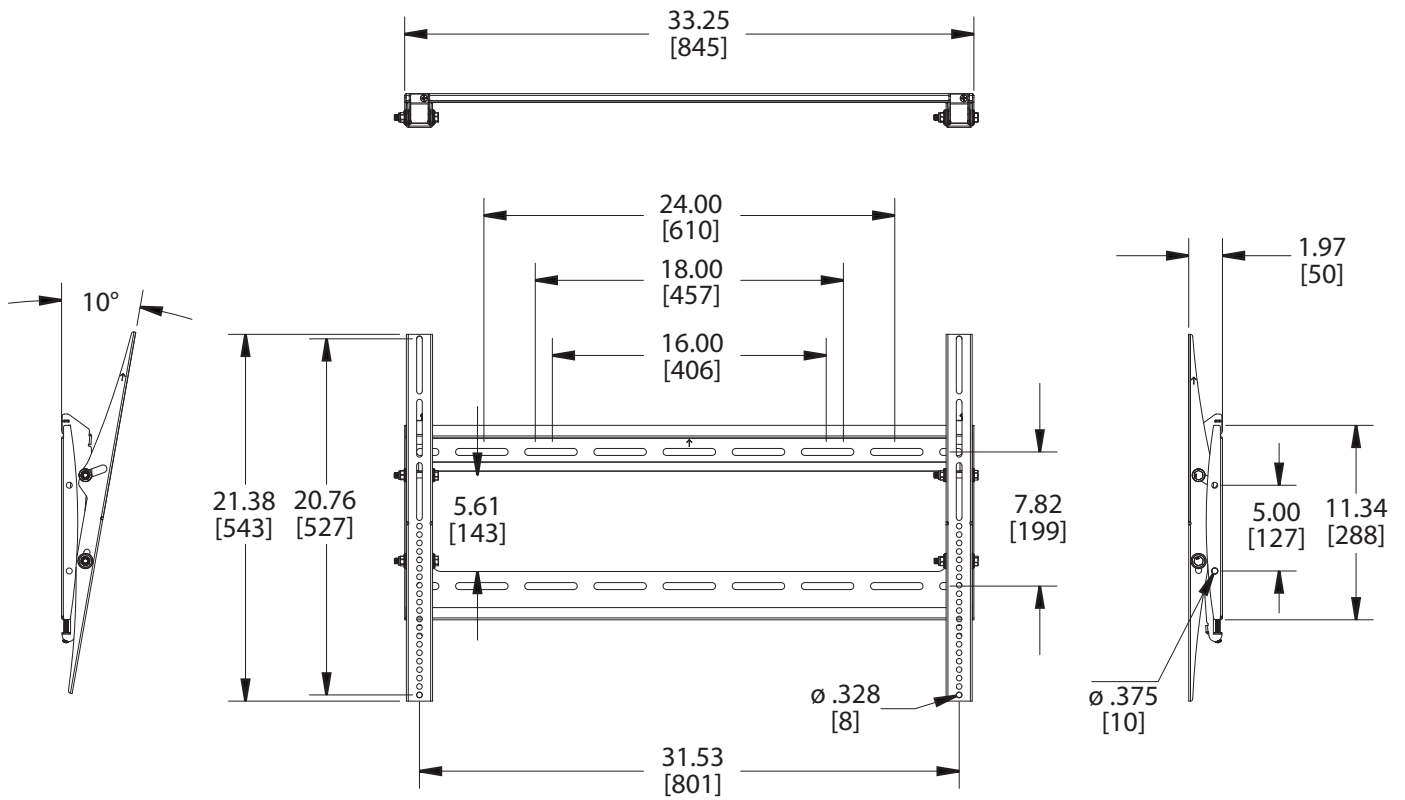
- Low-profile design
- Post-installation leveling system
- Open design for easy cable and electrical access
- Built-in lateral shift
- Universal hardware pack includes innovative universal spacers and M4-M8 screws
- Mounting kit includes wood, concrete and steel stud attachment hardware
- OSHPD and DSA Approved (OPA-2369-07)

SPECIFICATIONS

Model	P4263T
Display Range	42"-63"
Weight Capacity	175 lbs. (79 kg)
Depth	1.97" (50mm)
Tilt	10°
Mounting Patterns	200 x 200mm (Min) - 800 x 525mm (Max)



DIMENSIONAL DRAWING



Dimensions in inches and millimeters [mm].
Drawings subject to change without notice.

ACCESSORY OPTIONS

GB-INWAVP

In-wall AV Power GearBox™



PCB-CSL1

Cable Lock



FAQ

My flat-panel fits more than one mount. How do I choose?

Installation requirements, aesthetics, flat-panel weight and range of motion should assist in whittling down your decision for you.

Why would I choose this over the PCM-MS?

If you are looking for a very low-profile mount and are price sensitive, this is the mount for you.

What is OSHPD?

OSHPD stands for the Office of Statewide Health Planning and Development. Testing and certification from this government-run organization is focused on seismic testing of products. Mathematical calculations and physical shake tests are required for approval.